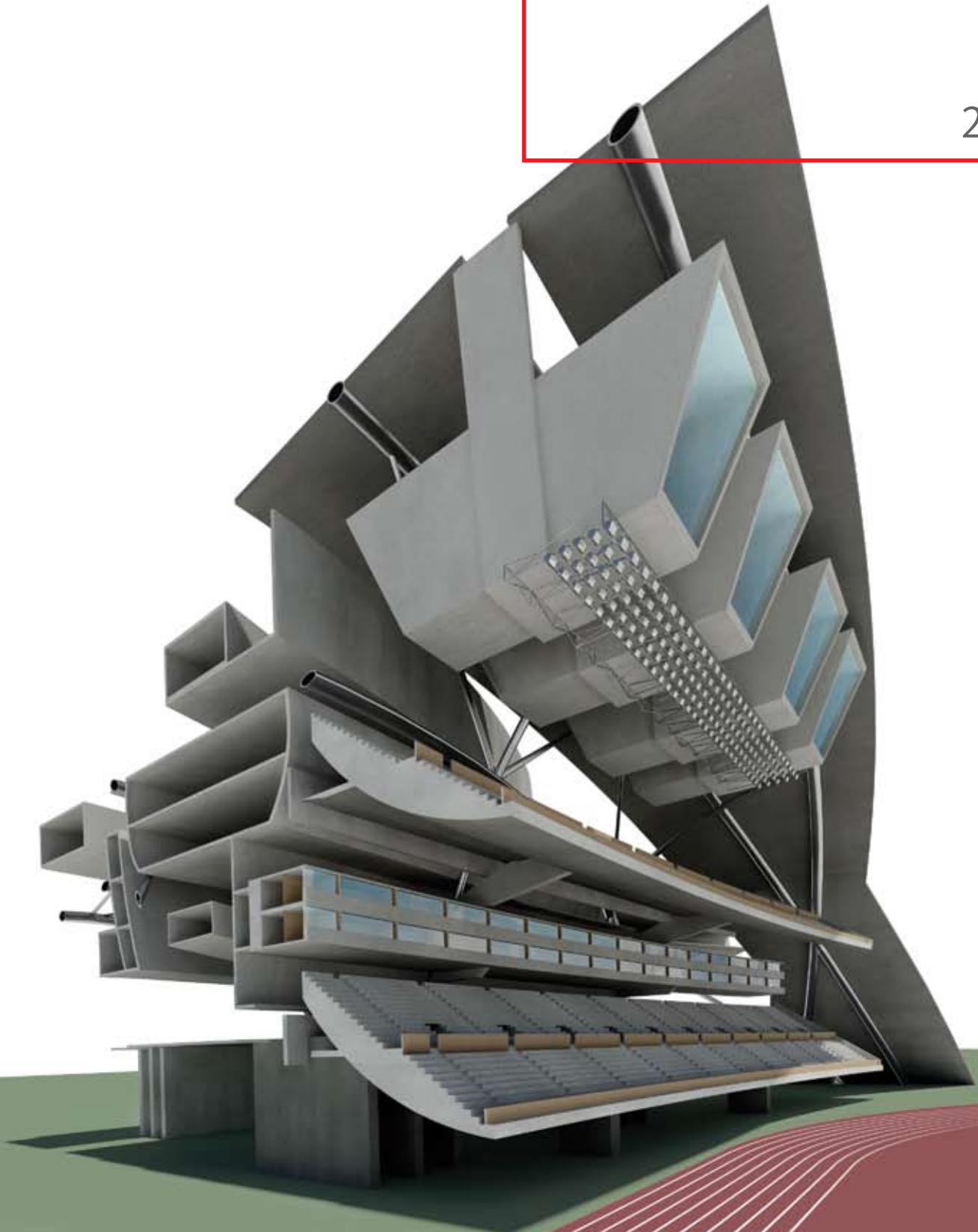


Control issues welcome.

**AutoCAD<sup>®</sup>**

2009



Autodesk<sup>®</sup>

# So Easy to Use It's Kind of Ridiculous

AutoCAD® 2009 software introduces a user interface redesign with a single goal: to increase your productivity. Based on customer feedback, usability testing, and emerging software standards, this redesign comes directly from you.

I love the ViewCube!  
It's never been this easy  
to navigate in 3D.

—Lynn Allen  
Autodesk Technical Evangelist

Autodesk didn't take the redesign of your workspace lightly. The new interface has been optimized with users in mind, making routine CAD tasks faster and less common commands easier to find. Veteran users boost productivity, and new users become productive quickly.

To streamline the transition from previous versions of AutoCAD® software, the new user interface is as customizable and extensible as ever. To ease learning, a "classic workspace" option provides access to the traditional toolbar and menu interface.

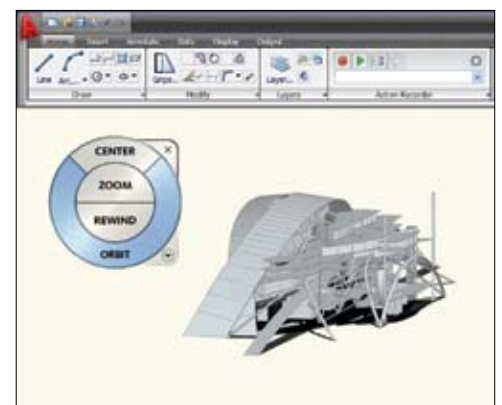
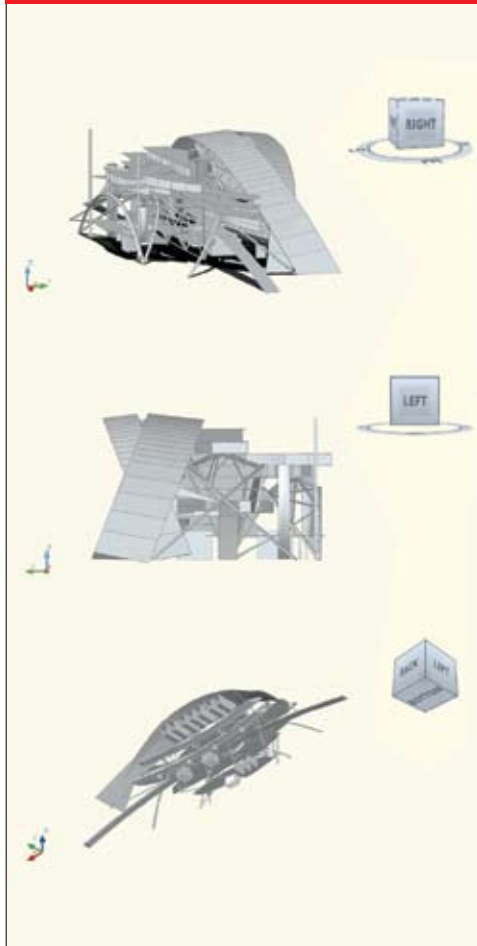
Move to new levels of productivity with AutoCAD 2009 as you integrate the advantages of the improved user interface into your existing work practices. And, by using Autodesk® Design Review software, the free\* integrated solution to electronically view, mark up, and revise designs, you can give virtually anyone, anywhere the opportunity to participate in the review process.

### Layer Dialog Box

The new Layer dialog box makes creating and editing layer properties faster and less prone to error. Changes are instantly reflected in the drawing as you make them in the dialog box. The manipulation of the dialog box has been simplified: columns can now be individually resized to avoid truncating the contents or title. Individual columns can be fixed in place so that you can scroll through the rest of the columns. And you can reference a column to a fixed column such as the layer name for easy scrolling.

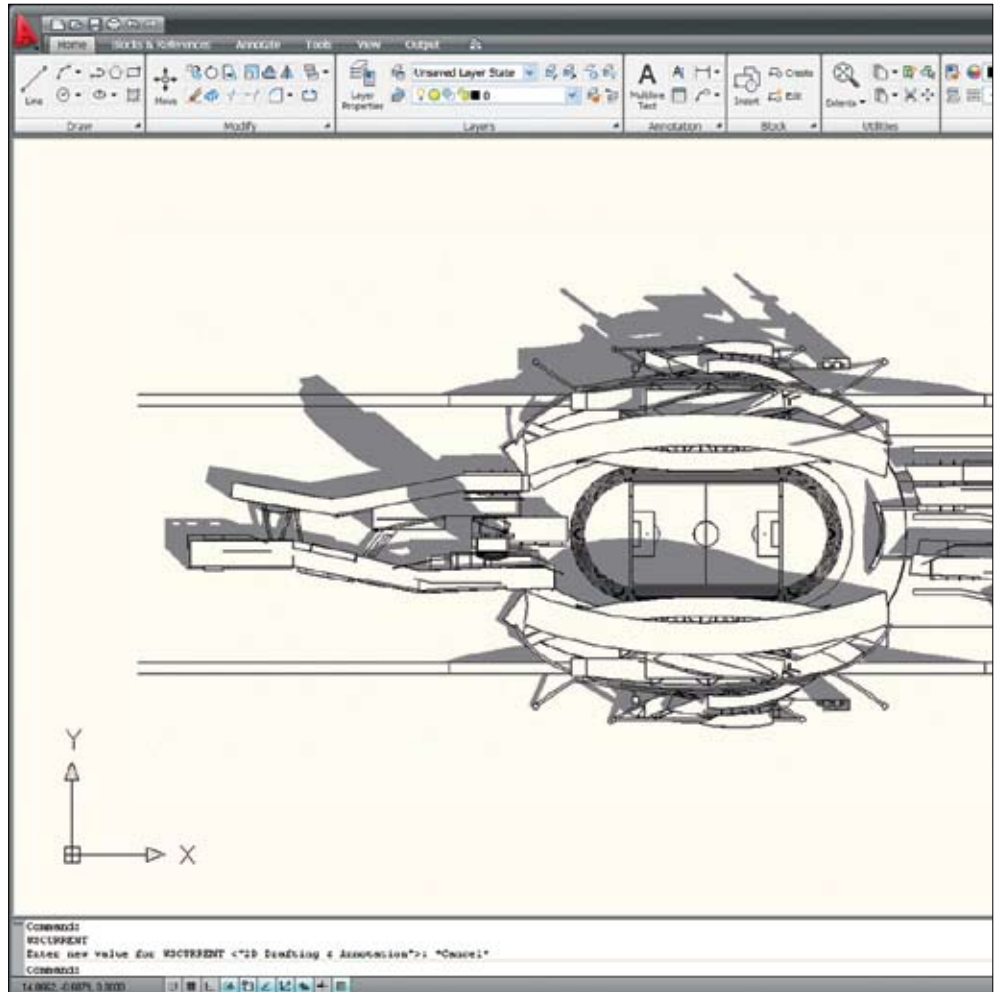
### ViewCube and SteeringWheels Features

The ViewCube™ feature is an interactive tool for rotating and orienting any solid or surface model in AutoCAD® software. Just select a face, edge, or corner of the cube to bring the model quickly to that predefined orientation. Click and hold the ViewCube to rotate the model in any direction. Since the ViewCube is in a fixed location on the screen, it provides at-a-glance orientation. The ViewCube will be introduced in Autodesk products as a common tool for working with 3D models. In addition to allowing quick access to the Orbit command, the new SteeringWheels™ tool provides quick access to the Pan, Center, and Zoom commands. The SteeringWheels tool is highly customizable so you can add walk-through commands to help create and record a walk-through of your model.



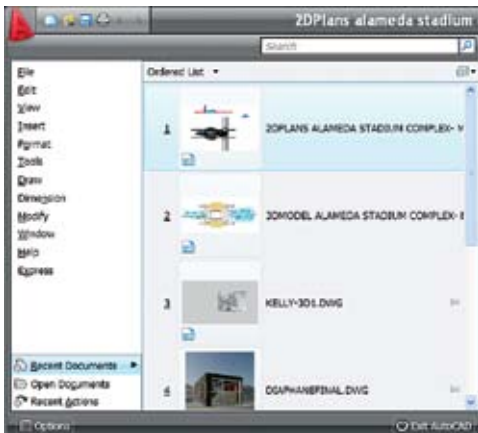
### The Ribbon

The new ribbon interface presents command options in a concise visual format.



### Menu Browser

No longer is reviewing and working with several files a tedious and time-consuming process. The new menu browser interface enables you to browse files and examine thumbnail images, and provides detailed information about file size and file creator. Plus, you can organize recently used files by name, date, or title.

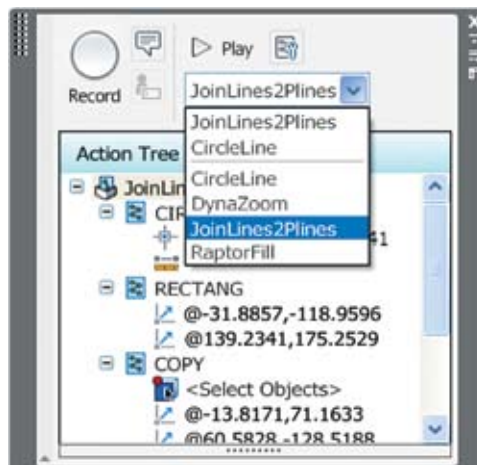


### Quick Properties

The easily customizable quick properties menu increases productivity by reducing the steps to access properties information, helping to ensure that information presented is optimized for that particular user and project.

### Action Recorder

The new action recorder helps you save time and increase productivity by automating repetitive tasks without requiring the skill or assistance of a CAD manager. Quickly record a task, add text messages and requests for input, and then quickly select and play back recorded files.



### Ribbon

The ribbon interface helps you increase overall drafting productivity by decreasing the number of steps required to reach a command. The ribbon interface presents command options in a concise visual format so you can quickly select commands based on the work you are doing. Moving between applications is now quick and intuitive. The ribbon is both customizable and expandable so that you can optimize it to fit your workstyle and company standards.

### Quick View

The quick view feature uses thumbnails instead of file names, making opening the correct drawing file and layout faster and decreasing time spent opening incorrect drawing files.

I need a professional design tool that allows me to bring projects from concept to completion quickly and with the highest quality. To keep a competitive advantage I continue to support the use of AutoCAD as a premier design application. Through each revision, AutoCAD is increasingly easier to use and as innovative as when I first started using it many years ago.

—Paul Laycock  
CEO  
KarelCAD

#### **Learn More or Purchase**

Access specialists worldwide who can provide product expertise, a deep understanding of your industry, and value that extends beyond your software purchase. To purchase AutoCAD® software, contact an Autodesk Premier Solutions Provider or Autodesk Authorized Reseller. To locate the reseller nearest you, visit [www.autodesk.com/reseller](http://www.autodesk.com/reseller).

To learn more about AutoCAD, visit [www.autodesk.com/autocad](http://www.autodesk.com/autocad).

#### **Autodesk Services and Support**

Accelerate return on investment and optimize productivity with innovative purchase methods, companion products, consulting services, support, and training from Autodesk and Autodesk authorized partners. Designed to get you up to speed and keep you ahead of the competition, these tools help you make the most of your software purchase—no matter what industry you are in. To learn more, visit [www.autodesk.com/servicesandsupport](http://www.autodesk.com/servicesandsupport).

#### **Autodesk Subscription**

Get the benefits of increased productivity, predictable budgeting, and simplified license management with Autodesk® Subscription. You get any new upgrades of your Autodesk software and any incremental product enhancements, if these are released during your subscription term, and you get exclusive license terms available only to subscription members. A range of community resources, including web support direct from Autodesk technical experts, self-paced training, and e-Learning, help extend your skills and make Autodesk Subscription the best way to optimize your investment. To learn more, visit [www.autodesk.com/subscription](http://www.autodesk.com/subscription).

\*Free products are subject to the terms and conditions of the end-user license agreement that accompanies download of the software.

Cover image courtesy of Hobart, Yañez, Ramos, Maguey and Martínez

Autodesk, AutoCAD, SteeringWheels, and ViewCube are registered trademarks or trademarks of Autodesk, Inc., in the USA and/or other countries. All other brand names, product names, or trademarks belong to their respective holders. Autodesk reserves the right to alter product offerings and specifications at any time without notice, and is not responsible for typographical or graphical errors that may appear in this document.

© 2008 Autodesk, Inc. All rights reserved. 00000000000118296