

Autodesk® Inventor™

Simulation Suite 2009



Experience your design before it's built.

Autodesk® Inventor™ software provides a comprehensive set of design tools for producing, validating, and documenting complete digital prototypes—helping manufacturers get to market faster with fewer physical prototypes and more innovative products.

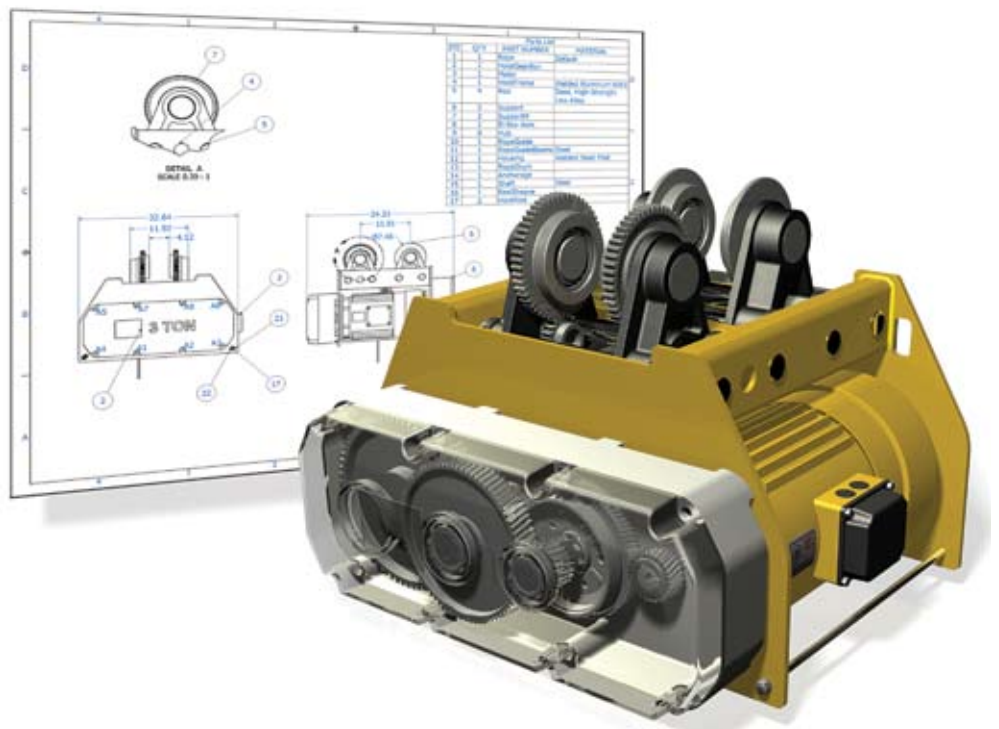
Contents

Dynamic Simulation	4
Stress Analysis	6
AutoCAD Integration	8
Part Design	10
Sheet Metal Part Design	12
Assembly Design	14
Design and Manufacturing Documentation	17
Data Management and Communication	19
Customization and Automation	22
Learning Resources	23
Learn More	24

The Autodesk Inventor product family is redefining traditional CAD workflows by helping engineers focus on the functional requirements of a design to drive the creation of complex 3D geometry. Reducing the time spent on geometry allows engineers to spend more time innovating designs. By rapidly building digital prototypes that validate a design's function, engineers can catch errors before they reach production. With creative approaches to accelerate and simplify the concept-to-manufacturing process, Inventor has outsold all competitors for the seventh consecutive year.

The Right Tools for Your Design Process

Inventor helps designers to realize the benefits of Digital Prototyping by giving them the freedom to reuse their existing DWG™ designs in a 3D design environment. Inventor lets users read and write native DWG files without risking inaccurate translations, and leverage valuable DWG data to build accurate 3D part models the first time. Inventor includes tools to easily create and document 3D designs, and provides unparalleled interoperability with competitive manufacturing applications—simplifying collaboration with other companies.



Experience your design before it's built.

Specialized Tools for Your Design Needs

The Autodesk Inventor product line provides a comprehensive and integrated set of design tools for producing and documenting complete digital prototypes that validate the form, fit, and function of a design. The Inventor model is an accurate 3D digital prototype that enables users to check design and engineering data as they work, minimize the need for physical prototypes, and reduce costly engineering changes discovered after the design has been sent to manufacturing.

Autodesk Inventor software products combine an intuitive 3D design environment for creating parts and assemblies with functional design tools that enable engineers to focus on a design's function to drive the automatic creation of intelligent components such as steel frames, rotating machinery, tube and pipe runs, and electrical cable and wire harnesses.

Validating the operating characteristics of designs before they are built usually requires hiring expensive consultants. The Inventor product line includes easy-to-use and tightly integrated motion simulation and stress analysis functionality, making it possible for any engineer to optimize and validate the digital prototype to predict how the design will work under real-world conditions, before the product or part is ever built.

Generating manufacturing documentation from a validated 3D digital prototype helps reduce errors and associated ECOs (engineering change orders) before manufacturing. Inventor offers rapid and accurate output of production-ready drawings directly from the 3D model. Inventor product bundles also include AutoCAD® Mechanical software for situations that require a high-productivity 2D mechanical drafting tool.



Inventor is tightly integrated with Autodesk data management applications, enabling the efficient and secure exchange of design data and promoting earlier collaboration between design and manufacturing workgroups. Different workgroups can manage and track all components of a digital prototype with the free* Autodesk® Design Review software—the all-digital way to review, measure, mark up, and track changes to designs—allowing for better reuse of crucial design data, management of bills of materials (BOMs), and collaboration with other teams and partners.

With different product configurations that offer specific levels of functionality, no company is more focused than Autodesk on helping designers create accurate digital prototypes and bring better products to market faster at less cost.



Dynamic Simulation

With Autodesk® Inventor™ Simulation Suite, designers can use Dynamic Simulation to predict how a product will work under real-world conditions, without having to build costly, time-consuming physical prototypes or waiting for results from expensive consultants.

Simply add the driving loads, friction characteristics, and dynamic components. Then, run the simulation to validate the design. Smooth integration with stress analysis validates component design with actual load information, rather than estimates.

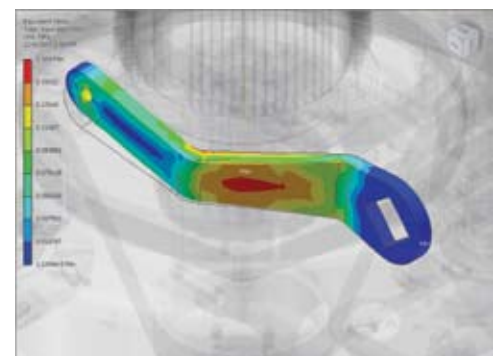
ENHANCED Simulation

Simulate the operation of mechanisms and motorized assemblies to make sure designs will work, while reducing physical prototyping costs. Compute the dynamic operating conditions of the design throughout its full operating cycle, and accurately size motors and actuators to sustain actual operating loads. Analyze positions, velocities, accelerations, and loads encountered by a selected component in the mechanism.



ENHANCED Output to Finite Element Analysis

Transfer reaction forces from discrete time steps to Autodesk Inventor Stress Analysis or ANSYS® Workbench to predict stress and deflection with accurate peak loads. Size components, such as pins and linkages, to minimize weight and material costs.



Dynamic Simulation

ENHANCED Constraint Translation

Quickly and easily set up dynamic simulations to represent the operating conditions of the design. The constraint reduction engine analyzes assembly constraints to identify the relevant rigid bodies and generate the correct motion joints for simulation. Users can also apply standard geometric constraints using the included library of motion joints. Then add springs and dampers to define the coefficient of friction that applies to each joint.

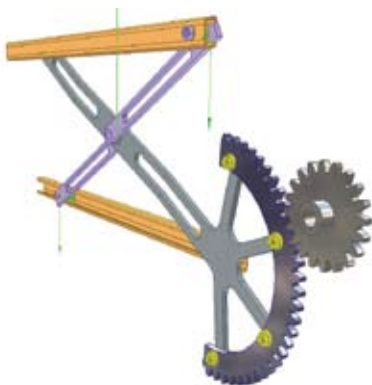
ENHANCED Load Definition

Apply different driving loads and torques as well as time-based force functions using the load profile editor. Use this tool to investigate the design's performance under a range of different load conditions.



ENHANCED Visualization

Fully interpret the behavior and performance of your design. Animated 3D visualization shows dynamic motion based on underlying physics models and the applied load conditions.

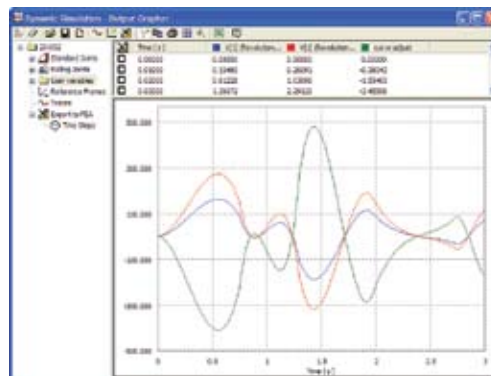


ENHANCED Point Trace

Determine accurate component position to help provide sufficient clearance between mechanisms and fixed structures. Select any point in the model and use the Trace option to display the selected point's location at each step in the simulation. Save simulation output, including path trace and assembly position, for use in part and assembly design.

ENHANCED Graphing

Use the comprehensive graphing capability to quickly investigate how the dynamic characteristics of the design vary through the machine's operating cycle. Plot physical parameters—such as position, force, and acceleration—versus time. Compare different properties at each point in the simulation cycle using multiple plots on the same graph.



Microsoft Excel Output

Export XY plot data to Microsoft® Excel® worksheets to analyze simulations and incorporate results in presentations and reports.

Stress Analysis

The stress analysis functionality in Inventor Simulation Suite helps users understand how parts perform under load, so they know their designs have sufficient strength to perform without failure.

The stress analysis tools are fully integrated with the dynamic simulation tools, enabling users to perform stress analysis with accurate load conditions that are calculated directly from the dynamic behavior of the design.

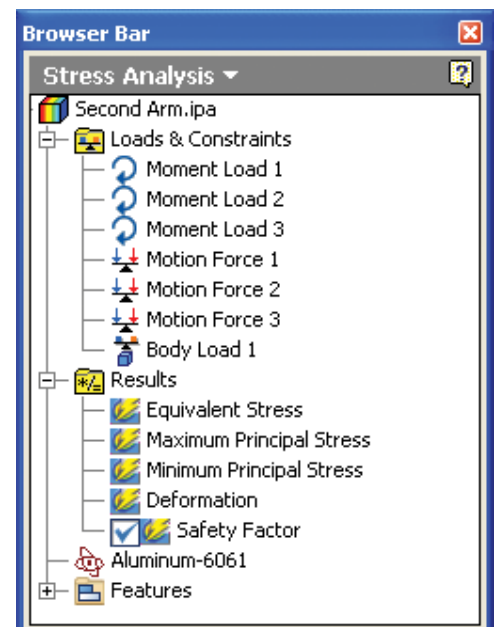
Easy-to-Use, Integrated Analysis

Make design decisions based on analysis results, not intuition. Integrated finite element analysis removes the need for translation of the CAD model, making it easier to use than stand-alone analysis packages. Users can examine deformation as well as maximum and minimum stresses to design higher-quality parts and make sure their designs meet required safety factors.



Integrated with Dynamic Simulation

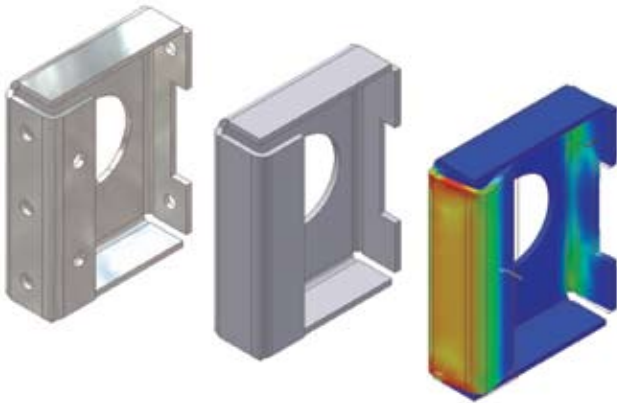
Analyze the stress in a moving part at different points in the mechanism's operating cycle. Import loads from multiple steps in a dynamic simulation, and then calculate and view the resulting stresses in a single analysis run.



Stress Analysis

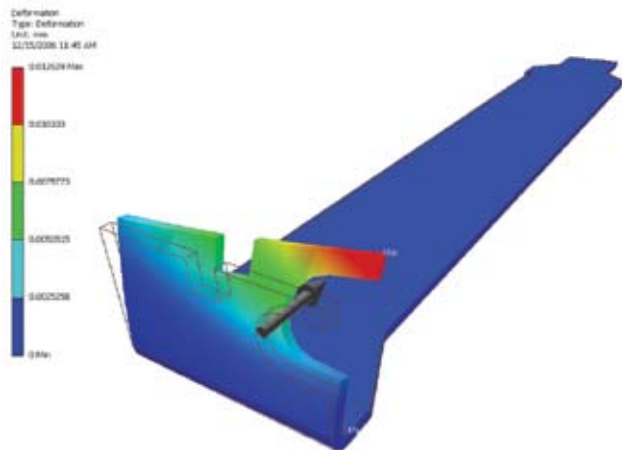
Model Simplification

Reduce the time required to generate results from stress analysis by simplifying part geometry to suppress features during finite element analysis.



Thin Element Solver

Identify areas of high stress in thin metal parts, including those made of sheet metal, to help ensure that they can support the operating loads.

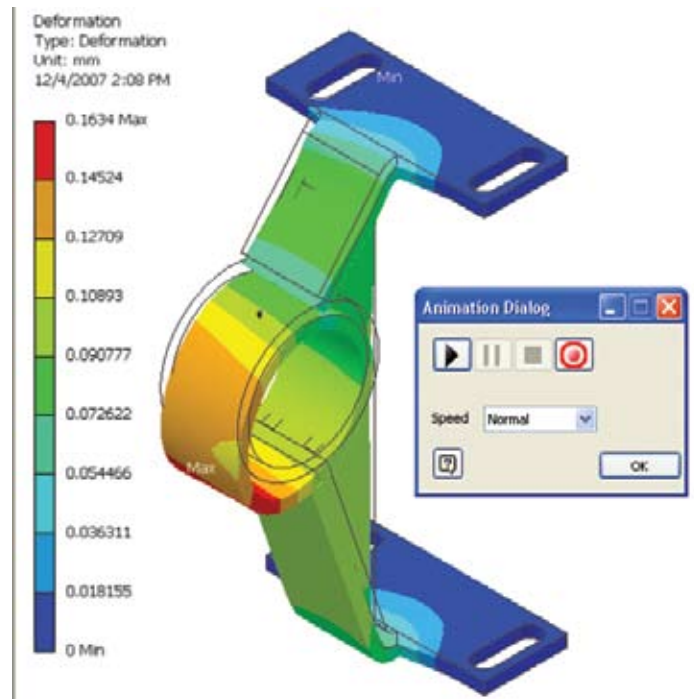


Export Analysis Data to ANSYS

Perform advanced studies without unnecessary and costly data translation. Inventor analysis definitions can be exported to ANSYS for use with additional validation tools.

Share Validation Results

Quickly and easily add analysis results to reports by exporting to an AVI or graphics file.



AutoCAD Integration

Inventor makes it easy for users of AutoCAD® software to realize the benefits of Digital Prototyping by leveraging investments in AutoCAD expertise and DWG™ design data.

Inventor delivers the industry's leading integration of 2D and 3D design, providing direct read and write of native DWG files, while maintaining full associativity to the 3D model—without the need for data-compromising translators.

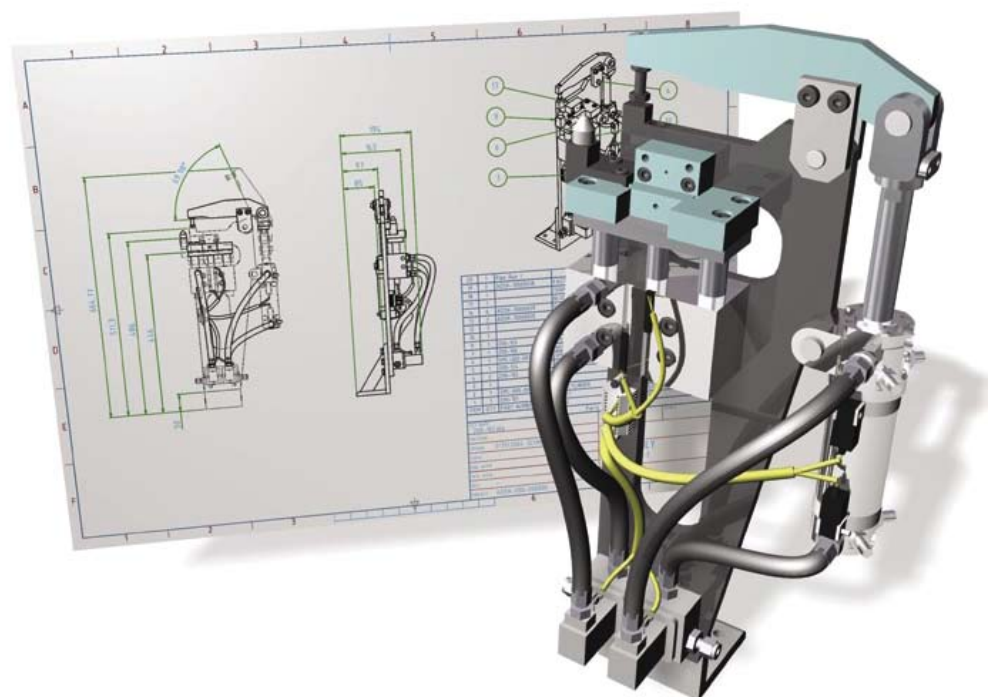
With Inventor, reuse valuable data with rapid access to existing 2D information. And, because users can save drawings as DWG files, they can easily share insights gained from the digital prototype with partners and suppliers who rely on AutoCAD software. Views generated from 3D part and assembly designs, such as schematics and plant layouts, can also be combined with AutoCAD data. Users can then update 2D drawings by inserting a view of new 3D designs—reducing the cost of upgrading existing equipment.

NEW Template Synchronization

Open a DWG file in Inventor and automatically create layers and dimension and text styles based on the AutoCAD styles in the DWG file, thus reducing the time required to create drawings that comply with customers' drawing standards.

ENHANCED Ease of Use

Reduce the time and training required for AutoCAD users to become proficient in 3D design workflows. Simplify the transition from AutoCAD software to Inventor in a familiar design environment with recognizable icons, AutoCAD-compatible shortcuts, cursor-based prompts, and command redo. User profiles enable users to configure Inventor to match the way they work, with out-of-the-box profiles for AutoCAD and Inventor experts. In addition, users can transfer their settings between different computers by exporting the profile to XML.



AutoCAD Integration

DWG Save

Integrate DWG technology into the 3D design workflow to take advantage of existing skills; easily combine part, assembly, and schematic drawings data; and streamline communication with suppliers and partners who rely on DWG technology. This feature stores Inventor drawing views in the DWG file to provide view, plot, and measure capabilities in AutoCAD with complete visual fidelity, while preserving fully associative drawing updates.



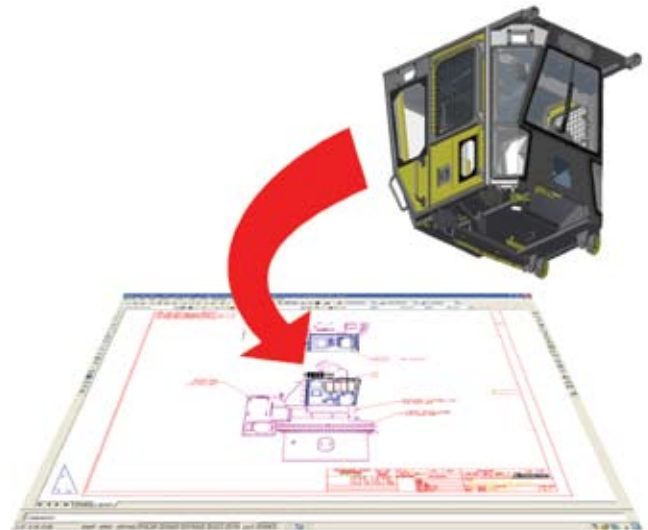
Direct DWG Open

Gain access to existing 2D design data without installing or learning AutoCAD software. Open AutoCAD drawings directly in the Inventor application to view, plot, and measure using familiar Inventor commands. Incorporate existing 2D design data into 3D design workflows using Copy and Paste commands.



AutoCAD Blocks from Inventor Views

Reduce the cost of using 3D for upgrade projects originally designed in 2D. This feature generates AutoCAD blocks from Inventor drawing views so users can redesign subassemblies using Inventor and then integrate the new drawing views directly into the original drawings.



Inventor and AutoCAD Mechanical Interoperability

Accelerate time to market and reduce errors by enabling associative 2D and 3D collaboration. With this interoperability, AutoCAD Mechanical software creates drawings of Inventor components by enabling users to open native Inventor parts and assemblies. When the design changes in Inventor, the AutoCAD Mechanical drawing is automatically updated.

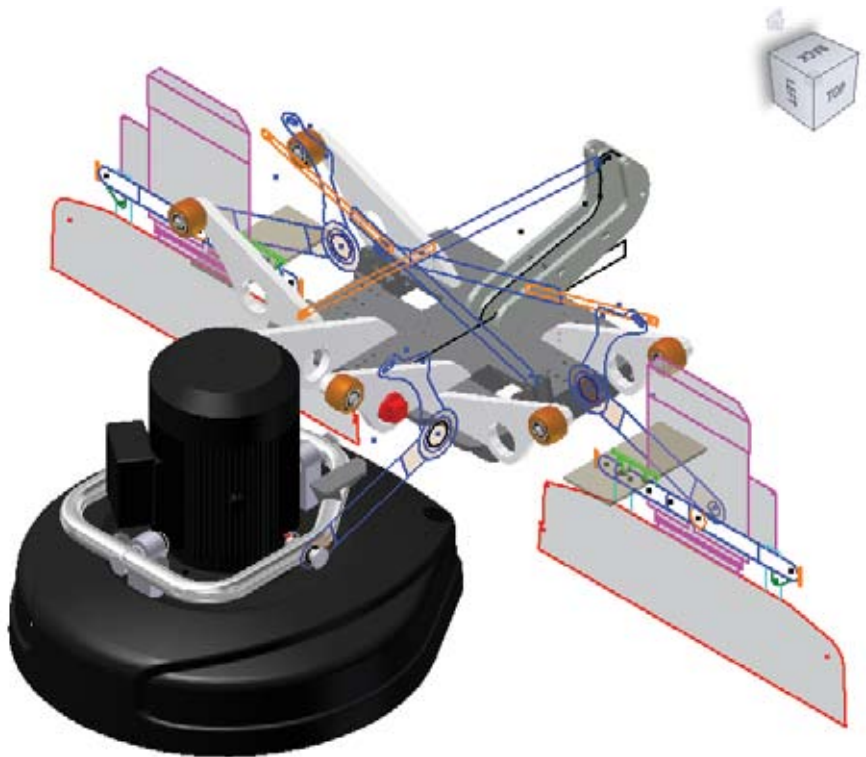
Part Design

Inventor software helps designers reach the next level of efficiency by making it easier to reuse design data, convey design intent, and work with fully associative models to make sure any changes to the part design are reflected in the assembly model and drawing files.

Improve productivity by automating repetitive design workflows for frequently used custom features and parts. Using the iPart technology in Inventor, companies can easily set up libraries of intelligent parts to make sure that frequently used parts are created the same way every time.

ENHANCED Sketching

Evaluate different design ideas before creating detailed part and assembly models. By using the Inventor sketch environment, designers can quickly capture design ideas as versatile 2D layouts. By combining the power of constraints with easy-to-use tools for modifying sketches, designers can try different design concepts and control color and line style to help convey design ideas.



Part Design

ENHANCED Advanced Shape Description

Create a wide range of complex geometries by easily combining solids and surfaces. Inventor gives users precise control of shape characteristics, such as tangency and continuity. Advanced modeling tools include Loft to a Point, N-Sided Patch, Sweep Normal to Surface, Area Loft, Centerline Loft, G2 Continuous Fillets, Full Round Fillets, and Face-to-Face Fillets.



Surface Quality Analysis

Create models with high-quality surface characteristics, and check design data for manufacturability to avoid costly changes during manufacturing setup. Zebra and Gaussian analysis tools simplify the process of checking for tangency, continuity, and curvature.

Draft Angle and Cross Section Analysis

Cross section analysis displays wall thickness, color-coded feedback of minimum and maximum thickness violations, and moment of inertia at the end of the cross section. Draft angle analysis displays color-coded draft angle based on a pull direction, which can be defined by an axis, plane, or planar face.

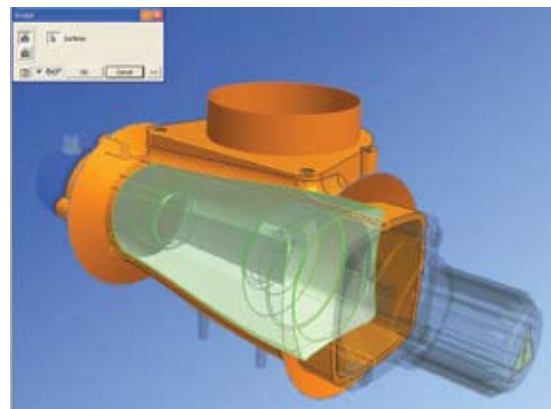
Import from AliasStudio

Use concept design data from Autodesk® AliasStudio™ software to reduce the time required to complete 3D product design. Incorporate curve and surface data from AliasStudio into Inventor part models using DWG import and export tools built into the two products.



Sculpt Tool

Quickly and easily modify shape details using surfaces from Inventor or by incorporating imported surfaces. Construct 3D part geometry from closed set surfaces, and incorporate imported surface data into the model using the Sculpt tool to modify existing parts by adding or removing material.



Sheet Metal Part Design

Autodesk Inventor helps users simplify the design of complex sheet metal parts.

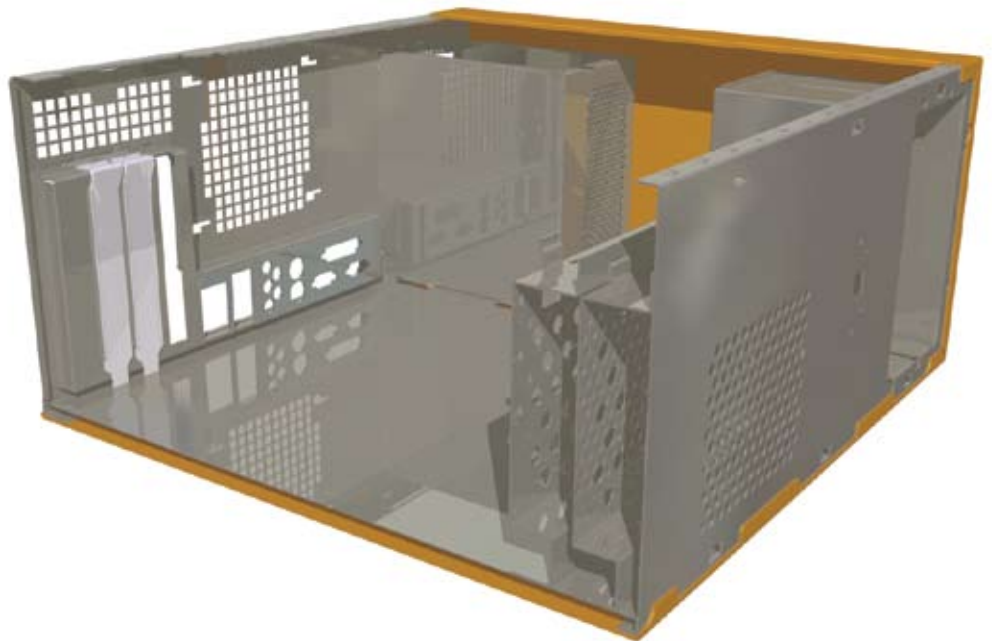
Inventor improves productivity during the design of sheet metal parts by providing a digital prototype that combines manufacturing information (such as punch tool parameters and custom bend tables) with an accurate 3D model of sheet metal folding and a flat pattern editing environment where manufacturing engineers can tweak flat patterns to optimize manufacturing costs.

ENHANCED Sheet Metal Flanges

Quickly design sheet metal parts in 3D that accommodate specific manufacturing processes and shop capabilities. Edge chaining allows creation of multiple flanges in a single stop, while rich unfold options and automatic mitering reduce the time required to define the folded part model.

ENHANCED Sheet Metal Styles

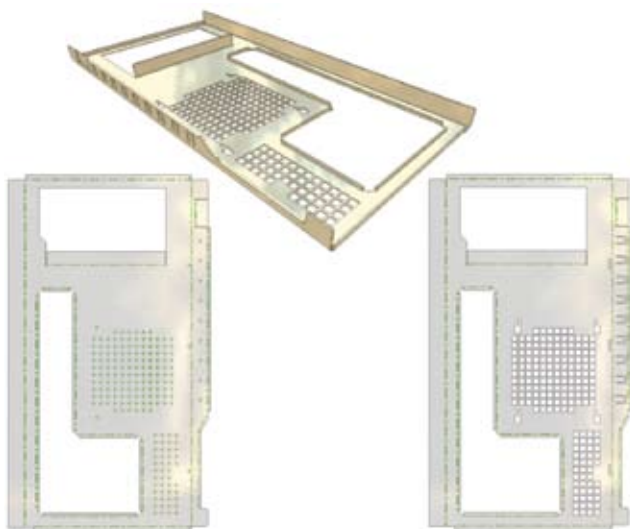
Generate flat patterns that accurately reflect your manufacturing capabilities. Sheet metal unfolding is controlled through styles that define the material thickness, bend rules, and corner reliefs. Both linear unfolding and custom bend tables can be used to control the unfolding geometry.



Sheet Metal Part Design

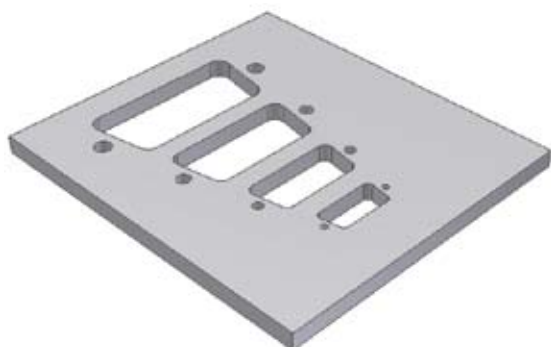
Flat Pattern Features

Generate optimized flat patterns to eliminate unnecessary manufacturing costs. Unfold sheet metal models to create flat patterns with associative flat-pattern editing to support cleanup operations such as modifying corner reliefs to match specific capabilities available on the shop floor.



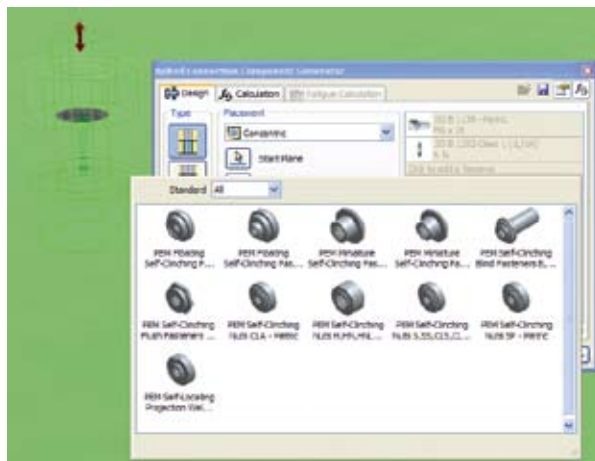
Punch Libraries

Users can define their own sheet metal punch libraries to standardize punch usage and reduce computer numerical control (CNC) tooling costs. Table-driven punches enable users to define families of punches, typically different sizes of the same punch shape with full representation of manufacturing parameters, including PunchID, punch depth, and sketches for alternate punch representations.



NEW Sheet Metal Fasteners

Quickly insert specialized sheet metal fasteners in the sheet metal design. A comprehensive range of PEM™ fasteners are included in the Content Center.

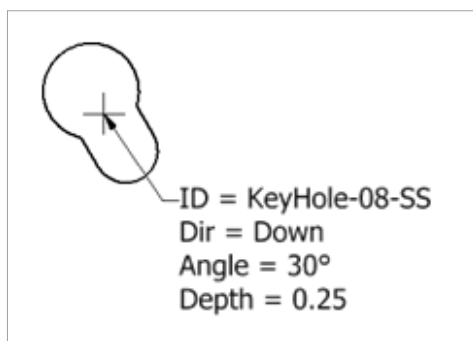


DXF Output

Reduce programming time by eliminating time spent cleaning up DXF™ files for CNC machining. DXF/DWG export for sheet metal provides control of preprocessing and postprocessing options such as DXF/DWG file version, layer mapping, user-defined chord length for spline simplification, and customization through external XML files.

ENHANCED Sheet Metal Manufacturing Drawings

Quickly create accurate manufacturing drawings to support sheet metal manufacturing operations. Document flat pattern drawings by inserting punch notes, punch tables, and bend tables that display punch and bend data from the 3D mode and select display of bend directions using drawing styles.



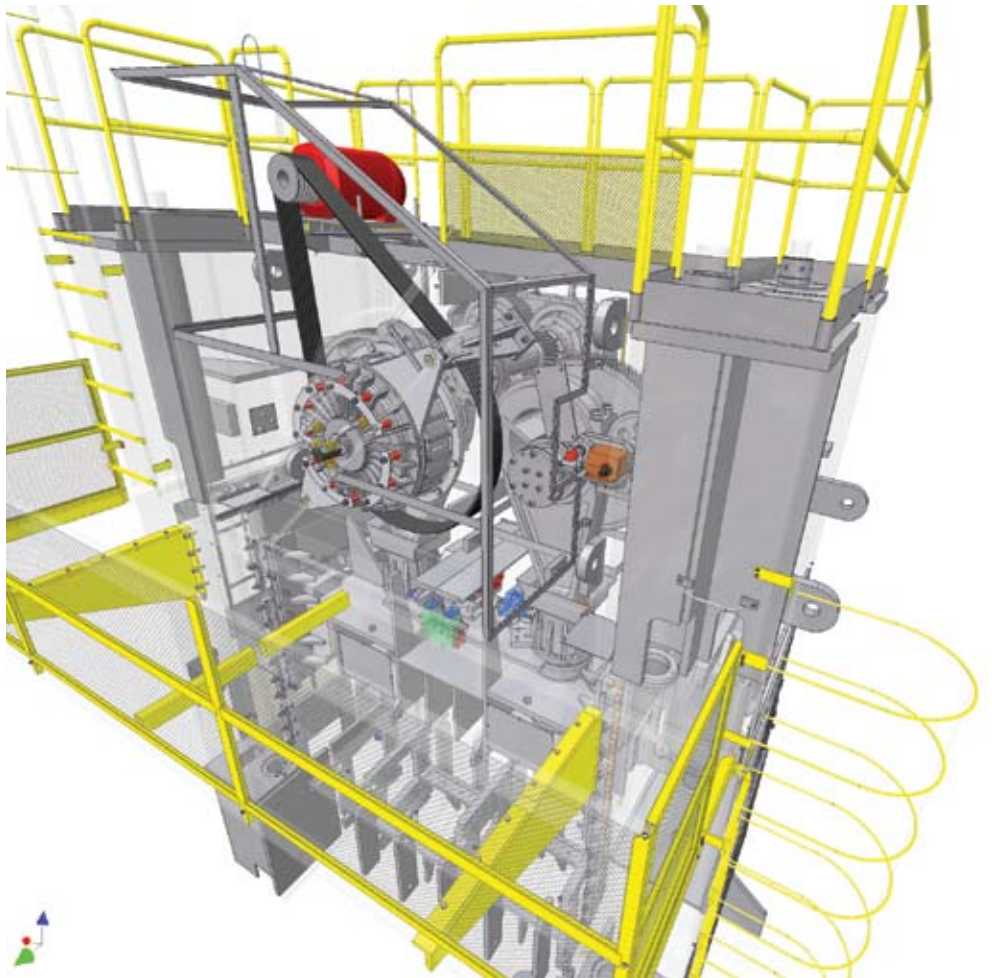
Assembly Design

Inventor combines Design Accelerators with easy-to-use assembly tools so users can be sure that every part and component in an assembly design fits correctly.

Accurately validate interference and mass properties to produce high-quality products the first time around. Inventor provides the tools to control and manage the data created by large assembly designs so users can work on just the components required to complete a particular part of the design.

ENHANCED Assembly Design

Quickly assemble individual parts and subassemblies to define the complete product structure and verify that the product can be assembled. Insert and position new components in the assembly using constraints to capture the positional relationships that define fixed and moving components.



Assembly Design

ENHANCED Interference Analysis and Contact Detection

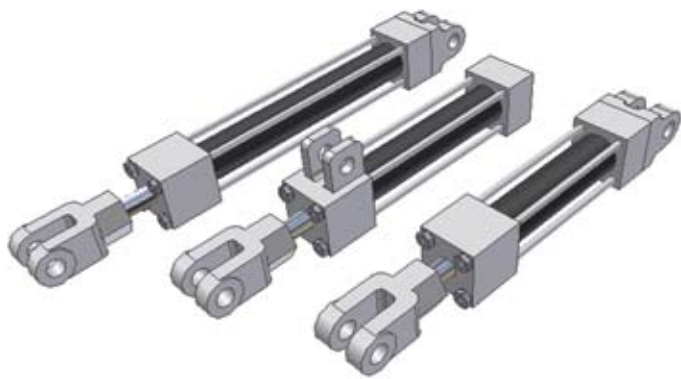
Eliminate costly errors and improve manufacturability by testing assembly function within Inventor. Check for both static interference between parts with graphic highlighting of overlapping material, and then test for potential collisions between moving parts by driving assembly constraints or dragging components until they collide.

AutoLimits

Reduce errors and engineering changes through automatic monitoring of crucial design parameters. Use AutoLimits to monitor length, distance, angle, diameter, loop length, area, volume, and mass. AutoLimits icons change color when the monitored parameters exceed the prescribed parameter range.

Assembly Configurations

Easily design and document product families using assembly configurations to define variations from a master assembly. Exclude or substitute individual components and make changes to dimension and constraint values. Then document the whole part or assembly configuration using the Table tool, which automatically creates the parameter table in a 2D drawing.



ENHANCED Large Assembly Management

Realize the benefits of 3D design when developing very large assemblies. With level of detail (LOD) representations, users have full control over how much information to load when working with large assemblies. Control memory consumption by suppressing components. A large assembly “capacity meter” provides a visual indication of how much memory is available.

ENHANCED Design Accelerators

Move beyond 2D drafting and 3D modeling to rapidly design, analyze, and generate commonly used machine components from the functional requirements and specifications such as power, speed, torque, material properties, working temperatures, and lubrication conditions. Inventor software includes Design Accelerators for bolted connections, shafts, bearings, O-rings, spur gears, belt and chain drives, pins, and springs.



Assembly Design

ENHANCED Frame Generator

Quickly design and develop welded frames for industrial machinery applications. The Frame Generator builds up structural frames by dropping predefined steel shapes onto wireframe or solid skeletal frames and simplifies creation of end conditions with predefined options for mitered, notched, and straight butt welded joints. It includes profile authoring so users can add custom profiles to the existing library of standard profiles.

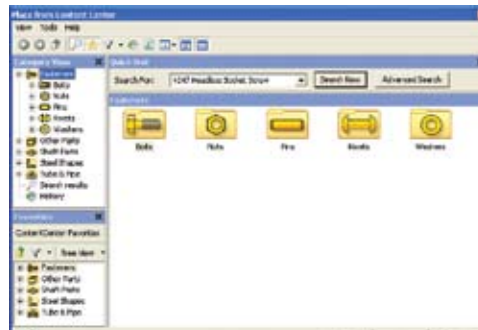


Weldments

Improve quality and documentation of welded assemblies. Define weld preparation, weld creation, and postweld operations with full 3D representation of fillet, gap, or groove welds that provide weldment analysis and bead volume reports. Automatically create 3D annotation based on industry or company standards, and generate associative 2D weld symbols for documentation.

ENHANCED Content Center

The Content Center provides fast and easy access to frequently used content, simplifying creation, reuse, and management of all standard company content. The Content Center is a centralized library for engineering content that provides an easy-to-use content browser with search and filter tools to help users quickly find the right part families. It includes more than 650,000 components—such as nuts, bolts, and screws—and enables companies to add in-house parts and standard features to user-defined libraries.



Supplier Content Center

Reduce the time and effort required to incorporate standard components into designs. The Supplier Content Center provides web-based access to component models from more than 100 leading manufacturers. The simple-to-use browser provides quick and easy access to models in native Inventor format. And it is fully integrated with the Autodesk Inventor Content Center.

Design Doctor

Use the Design Doctor™ feature to find and fix errors in 3D models. This diagnostic tool identifies potential design issues and recommends corrections.

Assembly Level STL Output

Quickly create source stereolithography (STL) files directly from the Inventor assembly environment for rapid prototyping of Inventor assemblies.

Design and Manufacturing Documentation

Autodesk Inventor includes comprehensive tools to generate engineering and manufacturing documentation from the digital prototype. These tools can help users reduce errors and deliver designs in less time.

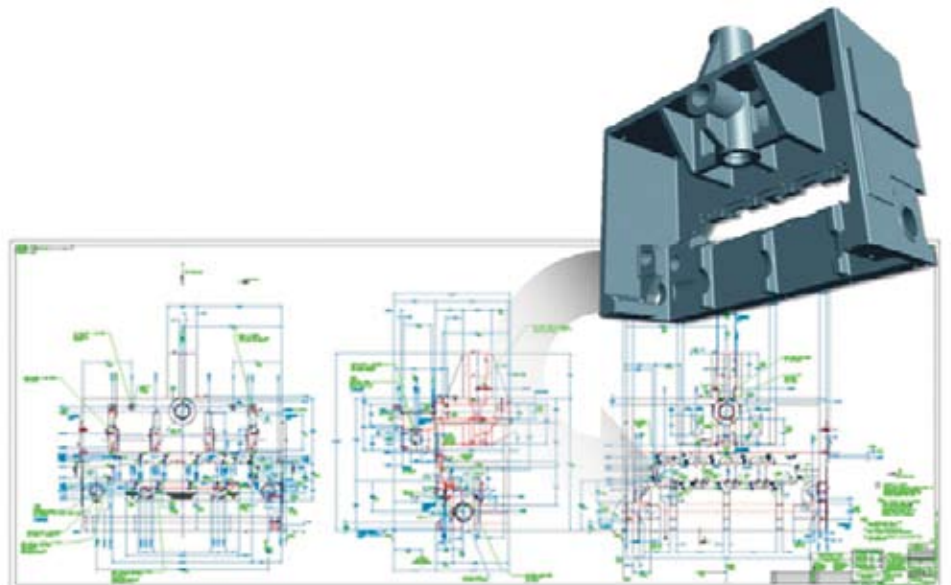
Inventor takes the production of manufacturing documentation to the next level of productivity through automatic generation of drawing views and tools for finishing drawings.

And, with support for all major drawing standards, full associativity with the 3D model (so drawings update when the design changes), and output in the DWG format, Inventor is the best choice for creating and sharing DWG drawings.

ENHANCED Automatic Drawing Views

Dramatically reduce drawing creation time over traditional 2D methods. Automatic drawing views enable users to

- Call out the views needed on the drawing sheet, including front, side, ISO, detail, section, and auxiliary views, and let Inventor project the geometry with comprehensive options for controlling hidden-line display at the component level
- Retrieve dimension data from the 3D model to quickly place the dimensions, including isometric view dimensions, and let Inventor update the dimensions when changes are made to the 3D model
- Use a comprehensive set of dimension, annotation, and 2D symbols for quick and flexible completion of the drawing set
- Create overlay drawing views that illustrate various potential states of assemblies
- Access support for technical drawing standards, including ANSI, BSI, DIN, ESKD, GB, ISO, and JIS



Design and Manufacturing Documentation

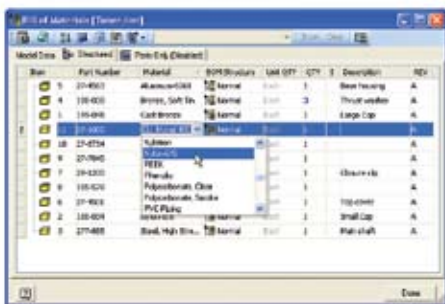
Automatic Drawing Updates

Reduce errors and the need for manual checking through automatic drawing update. Inventor associates drawing views to the original components so any change made to a part or an assembly is automatically reflected in the drawing. Inventor also supports global updates of drawing resources, such as title blocks, borders, and sketched symbols.

Bill of Materials

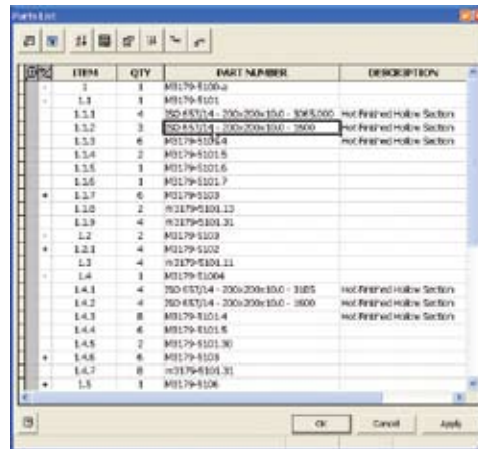
Provide earlier visibility into accurate component lists to improve costing and sourcing decisions. Simplify release to manufacturing with accurate engineering BOM data. The BOM is a single source for managing the assembly and subassembly structure of purchased and nonpurchased parts, including virtual components. Timesaving features include the following:

- Automatic numbering with support for numeric and alpha characters, and item number override
- Material definition for virtual components, such as glue and paint
- Direct editing of materials in the BOM table, which allows material changes to be made to more than one item at the same time



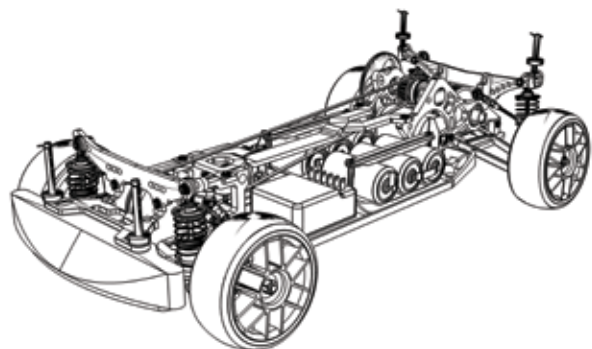
ENHANCED Associative Parts List

Automatically generate and update accurate parts lists in a fraction of the time required by traditional 2D methods, virtually eliminating human error. The associative parts list enables users to maintain an accurate parts list with part and subassembly quantities that are automatically kept up-to-date, organized, and populated into a drawing parts list. Rapidly add balloons and item numbers to assembly drawings. And users have greater flexibility in customizing parts lists to meet company standards.



Technical Illustrations

Use the presentation environment in Inventor to quickly create technical illustrations, process sheets, training materials, part manuals, assembly instruction sheets, and videos to train assembly teams on the manufacturing floor.



Data Management and Communication

Inventor enables the efficient and secure exchange of design data to support collaboration between different engineering contributors, including industrial design, product design, and manufacturing.

This capability allows design workgroups to manage and track all the design components of a digital prototype, helping designers reuse crucial design data, manage BOMS, and promote earlier collaboration with manufacturing teams and clients.

Through a comprehensive suite of native translators, Inventor provides the interoperability that enables companies to take on projects in which part of the 3D data originates from other CAD systems and satisfy customer requests for 3D models in other native formats.

ENHANCED Autodesk Vault Integration

Autodesk® Vault data management software is a centralized application for workgroups that securely stores and manages work-in-progress design data and related documents. Use it to maximize return on your company's investment in design data by driving design reuse.

ENHANCED Autodesk Productstream

Help ensure that your company's designs are complete, accurate, approved, and released to manufacturing in a timely and effective manner. Autodesk® Productstream® software (sold separately) automates the release management process by managing engineering changes and BOMs while the engineering department maintains control of the design data.

ENHANCED Autodesk Inventor Studio

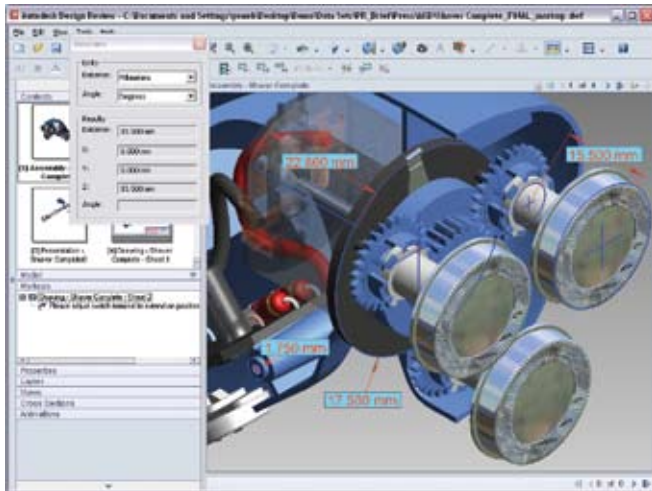
Improve communication with customers and other decision makers by creating high-quality photorealistic renderings and animations in the Inventor design environment. Autodesk® Inventor™ Studio software gives design engineers direct access to this specialized and typically expensive functionality. Mirror and turntable animation tools and a streamlined user interface reduce the time required to set up and create cyclic animation sequences.



Data Management and Communication

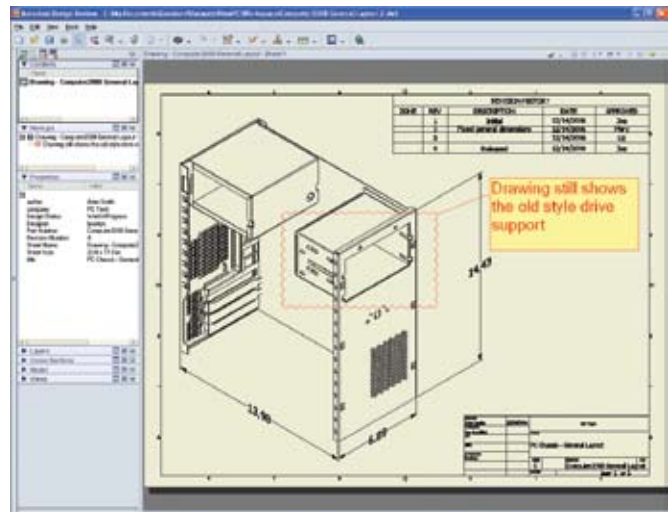
ENHANCED DWF Publishing

Improve product quality, decrease time to market, and reduce scrap and rework costs by using DWF™ technology to streamline communication with suppliers, purchasing, and other supply chain partners. Publish the information required by manufacturing partners, including assembly animations and detailed step-by-step assembly instructions, 2D drawings, and 3D models with BOM information.



ENHANCED DWF Markup

Easily track, manage, and verify multiple markups and design changes throughout the design review process. Overlay DWF markups directly onto Inventor drawings, provide status, and make changes. Users can then republish or “round-trip” those changes back to the design reviewer to complete the process.



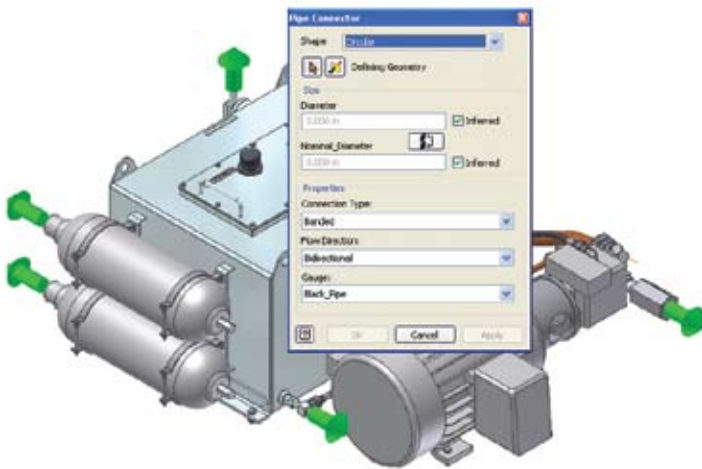
ENHANCED Publishing Formats

Share product information with partners and customers who need to incorporate your designs into their products. Publish Inventor drawings as PDF files, publish 3D part and assembly models in SAT or JT format, and create STL files for output to stereolithography and 3D print machines.

Data Management and Communication

AEC Exchange

The AEC (Architecture, Engineering, and Construction) Exchange tool creates and publishes simplified 3D representations, intelligent connection points, and additional information in native file formats for AutoCAD® MEP software. Users can also export 3D geometry to AutoCAD® Architecture, Revit®-based software, and AutoCAD software.



NEW Native Translators

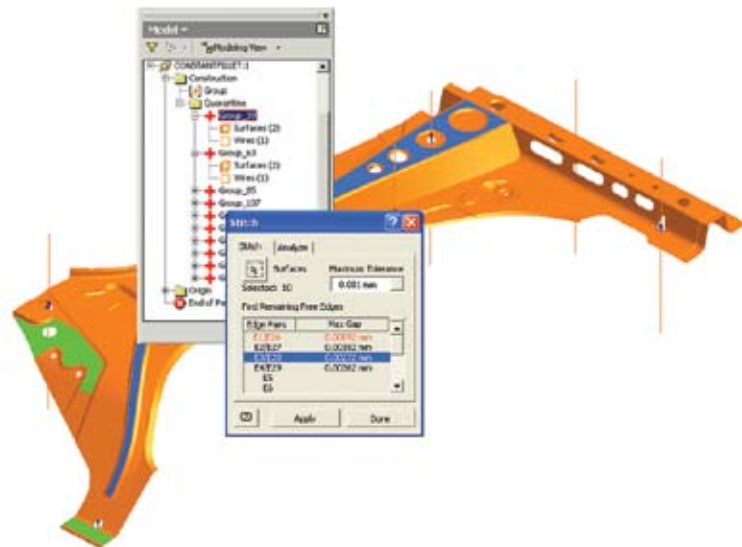
Streamline projects that require opening files from vendors or customers in native formats. Deliver 3D design data to customers or vendors who prefer native file formats. Users can easily exchange data between Autodesk Inventor, UGS®, SolidWorks®, and Pro/ENGINEER® by importing and exporting Parasolid®, importing UG-NX™, importing SolidWorks, importing and exporting Granite, and importing Pro/ENGINEER directly with Inventor.

ENHANCED STEP/IGES

Simplify accurate collaboration with suppliers and customers by enabling sharing and reuse of design data with 3D CAD/CAM systems. Read and write design and drawing data using industry-standard formats.

Construction Environment

Reduce the time required to inspect and repair customer data files. The Inventor Construction Environment provides fault-tolerant import of large STEP and IGES data sets, with a quarantine to hold entities containing geometric problems such as surface slivers and mismatched boundary curves. The construction environment also includes a comprehensive toolkit for inspecting, editing, and correcting quarantined entities, including solids, surfaces, wireframes, and points. Data sets can be corrected and promoted into 3D part models, surfaces, or 3D wireframes.



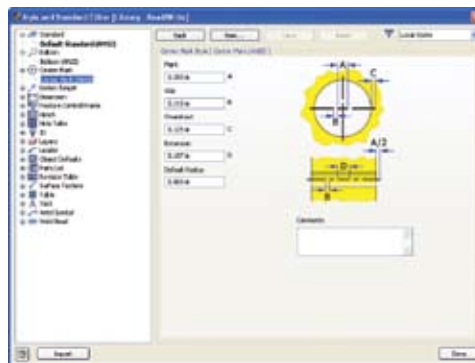
Customization and Automation

Inventor helps users make the most of their investment in 3D by using the Inventor API (application programming interface) to streamline frequently used procedures and automate specialized workflows that support design standards and engineering processes.

Increase speed and productivity with configurable styles so drawings conform to standards, and publish custom components in the Content Center to make sure that designers use appropriate components in their designs.

ENHANCED Styles

Work faster by instantly changing the formatting of an entire document, while maintaining consistency with company standards. Styles are combinations of formatting characteristics such as font, font size, color, standards, linetype, and material. They are easily named and stored as templates, and are used to control all aspects of drawing formats. When users apply a style, all the formatting instructions in that style are applied at one time, and a set of common styles can be configured for use by an entire project team.



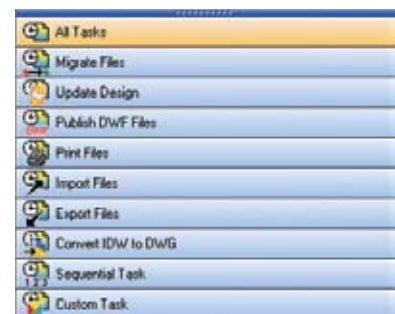
ENHANCED Content Center Publishing Tools

Quickly prepare and publish intelligent part libraries. The publishing tools in the Content Center include an editing environment and batch processing of large data sets to streamline the process of preparing and publishing company parts as well as vendor catalogs.



Task Scheduler

Increase productivity by automating repetitive and nonproductive tasks. The Inventor Task Scheduler enables users to schedule single or multiple (batch) automated tasks including DWF publishing, printing, file migration, IGES and STEP transfers, and vault operations. Users can also check out and download files from the Vault.



ENHANCED Open API

Increase productivity by developing tools to automate your company's design and documentation processes. Inventor includes a well-documented API to create customized programs to automate specialized workflows and extend the Inventor data model with custom attributes.

Learning Resources

Inventor offers a range of learning and reference resources to help users maintain skills and quickly make the most of the 3D design environment.

With Inventor, users can learn new skills, look up information about procedures and tools, and get the latest tips and tricks needed to stay productive.

ENHANCED Advanced Help System

Speed the transition to 3D with contextual help. The advanced help system is easier to use with improved navigation and profiles that present users with the right information based on their user profile.



ENHANCED Tutorials and Skill Builders

Use extended learning modules, including tutorials with Show Me animations and Skill Builders, to enhance understanding and skills.

ENHANCED E-Learning

Accelerate learning through flexible access to tutorials and best practices. A valuable component of Autodesk® Subscription, e-Learning provides a continually expanding curriculum of short training exercises.

ENHANCED Deployment Guide

Complete the installation of Inventor with minimum time and effort. Whether you are planning a new deployment or upgrading to Autodesk Inventor 2009, this easy-to-read booklet provides the information you need to succeed.

Engineer's Handbook

Save time researching engineering formulas, tables, and standards. The Engineer's Handbook provides a comprehensive online reference of engineering theory, formulas, and algorithms, and a manufacturing knowledge base that is easily accessible from anywhere in Inventor.

Calculates and designs cams with sinusoidal course of acceleration.

Values of cam follower lift, speed and acceleration are calculated for the specific cam rotation according to the following formulas:

Lift:

$$z = \frac{H}{\alpha} \cdot \left(\varphi - \frac{\alpha}{2\pi} \cdot \sin\left(\frac{2\pi}{\alpha} \cdot \varphi\right) \right) \quad [\text{mm}], [\text{in}]$$

Speed:

$$v = \frac{H \cdot \omega}{\alpha} \cdot \left(1 - \cos\left(\frac{2\pi}{\alpha} \cdot \varphi\right) \right) \quad [\text{ms}^{-1}], [\text{fps}]$$

Calculation of torsion:

$$a = \frac{2\pi \cdot H \cdot \omega^2}{\alpha^2} \cdot \sin\left(\frac{2\pi}{\alpha} \cdot \varphi\right) \quad [\text{ms}^{-2}], [\text{ft s}^{-2}]$$

Interpretations of symbols:

H total lift [mm], [in]

Learn More

Learn about the different Inventor products available to fit your specific design needs, and discover why Inventor products are the best choice for manufacturing companies. For more information, visit www.autodesk.com/inventor.

	Autodesk Inventor Suite 2009	Autodesk Inventor Routed Systems Suite 2009	Autodesk Inventor Simulation Suite 2009	Autodesk Inventor Professional 2009
Autodesk Inventor	•	•	•	•
AutoCAD Mechanical	•	•	•	•
Cable and Harness Design		•		•
Tube, Pipe, and Flexible Hose Design		•		•
Stress Analysis (FEA)			•	•
Dynamic Simulation			•	•
Autodesk Vault	•	•	•	•

